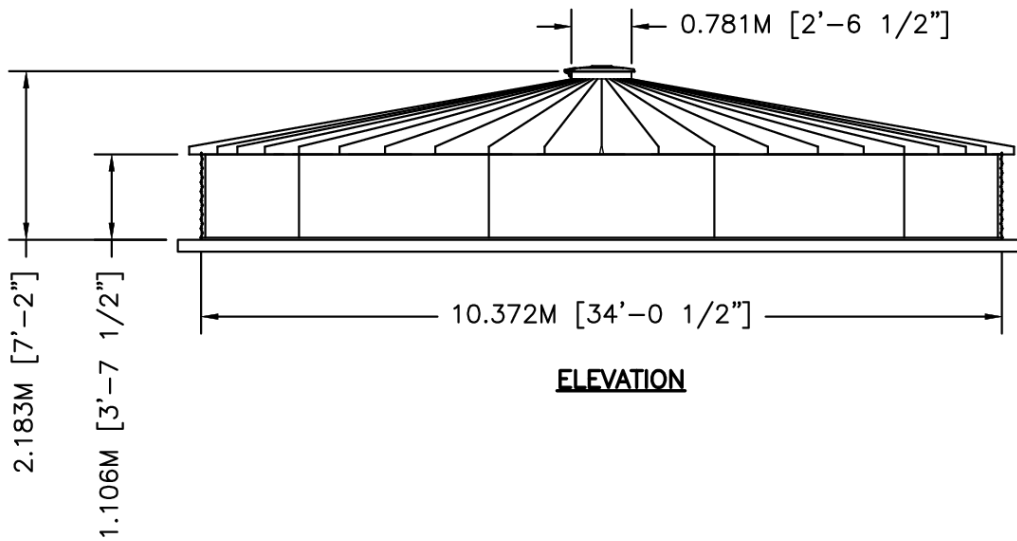


**PLAN**



**ELEVATION**



	BY	DATE	TITLE	
DWN	XXX	XX/XX/XX	WTU11-01 30"PR 10DEG V-RIB	
CKD			NOMINAL CAPACITY - 82.628 M3 [21,828 GAL]	
ENG			DWG. NO. SCT3401-LVR WTU11-01	REV. NO.
	SIZE:	SCALE:	SHEET	OF
	A	$1/8''=1'-0''$	1	1